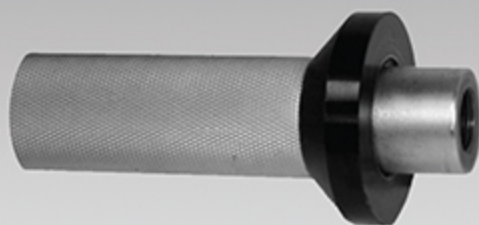
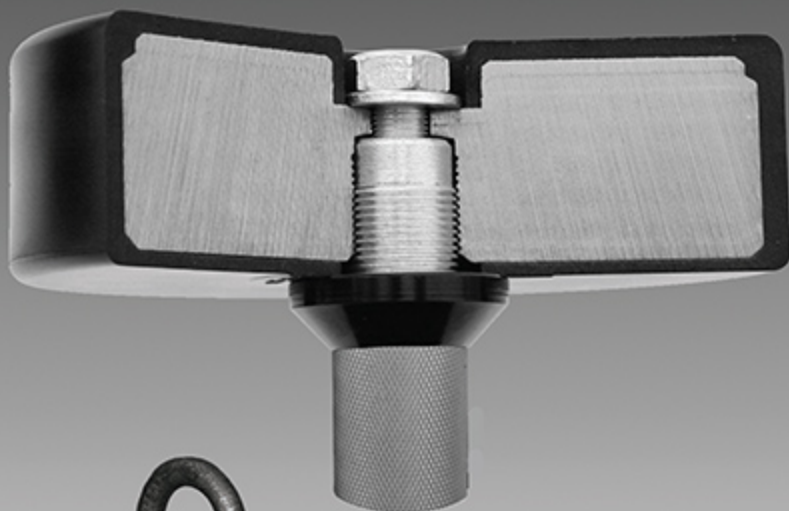




Brings To Commercial Free-Weight Products

THE MOST INNOVATIVE TECHNOLOGY
THE LONGEST WARRANTY
THE HIGHEST QUALITY
THE LOWEST PRICES
THE SHORTEST LEAD TIME



UMAX STRENGTH
www.umaxstrength.com

(888) 851-8989 (909) 923-3909 Fax (909) 923-2623

FIXED BARBELLS



UMAX URETHANE SOLID STEEL BARBELLS

- 6-YEAR WARRANTY against Loosening Weight Heads
- 6-YEAR WARRANTY against Structural Breakage
- 6-YEAR WARRANTY against Urethane Breakage
- PERMANENT Laser Engraved Urethane Logos & Numbers
- PERMANENT Laser Engraved Urethane Custom Logos
- Hard Chromed E-Z Curl and Straight Bars
- AVAILABLE 20 – 110LBS, 5 & 10LB Increments

U2 BARBELLS

- KING-COLLAR Technology
- Thermal Polyurethane Encased Solid Weight Heads
- Hard Chromed E-Z Curl and Straight Bars
- 3-Year Warranty Against Breakage
- Available 20 LBS to 110 LBS, 5 LB Increment up to 85 LBS



OLYMPIC STYLE BARS

UMAX offers the following Olympic Style Bars & Collars:

OB7-5NB --- 5-Needle Bearing Bar with Center Nurling, Hard Chrome Bar & Sleeves.

OB7-C --- 7' Hard Chrome Bar with Brass Bushings.

OB7-B --- 7' Black Bar with Hard Chrome Sleeves.

OBC --- EZ-Curl Bar, Hard Chrome.

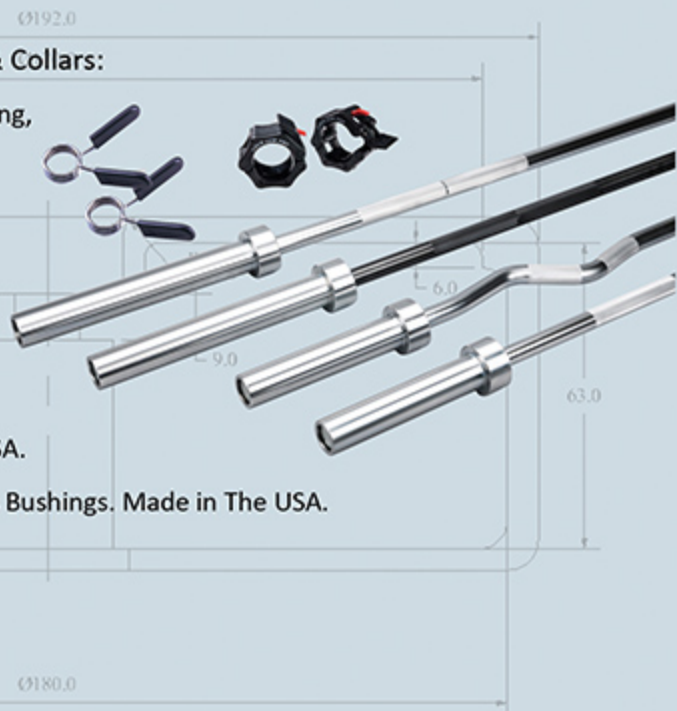
OB5 --- 5' Bar, Hard Chrome.

OB7-20KG-P --- 20KG Platinum Hi-Inertia Bar with 5-Bearing Sleeves. Made in The USA.

OB7-20KG-S --- 20KG Silver Hi-Inertia Bar with Brass Bushings. Made in The USA.

LJC --- Olympic Lock-Jaw Collars.

OSC --- Olympic Spring Collars.



URETHANE BEAUTY BELLS

URETHANE COATED SOLID STEEL DUMBBELL HEADS

HARD CHROMED HANDLES

5-YEAR WARRANTY AGAINST BREAKAGE

PERMANENT URETHANE LOGOS & NUMBERS

3LB, 5LB, 7.5LB, 10LB, 12.5LB, 15LB, 17.5LB, 20LB,

22.5LB & 25LB



URETHANE AEROBIC BELLS

ENTIRELY URETHANE COATED

PERMANENT URETHANE NUMBERS

5-YEAR WARRANTY

1 LB - 10 LB IN 1 LB INCREMENTS,
12 LB & 15 LB

KETTLE BELLS



US007341545B2

HEAVY RUBBER COATED

(12) **United States Patent**
SIZE AVAILABLE:
5LB, 8LB, 10LB, 15LB, 20LB, 25LB, 30LB, 35LB, 40LB,
45LB, 50LB, 55LB, 60LB, 65LB, 70LB & 80LB

(10) Patent No. 7,341,545 B2
Date of Patent: 10/14/2005

(54) **TORQUE RELEASING MECHANISM FOR
TWO TIER KETTLE BELL RACK WITH RUBBER MAT.**

1,113,256
2,651,533
3,031,702
5,393,000
6,527,411 3/2003 Scherba 362/294
6,572,481 6/2003 Hoffman 472/118

(76) Inventor: Guofang Cao, 22801 Chardonnay Dr.,
#1, Diamond Bar, CA (US) 91765

(*) Notice: Subject to any disclaimer, the term of this
patent is extended or adjusted under 35
U.S.C. 154(b) by 739 days.

* cited by examiner

Primary Examiner—Terrence R. Till
Assistant Examiner—Ryan Durcik
(74) Attorney, Agent, or Firm—Jen-Feng Lee, Esq.



(21) Appl. No.: 10/709,803

(22) Filed: May 28, 2004

(65) Prior Publication Data
US 2005/0266968 A1 Dec. 1, 2005

(51) Int. Cl. A63B 21/06 (2006.01)
(52) 482/93; 482/87; 403/150;
416/133
(58) Classification Search 482/69,
482/86-89, 93-109; 403/150, 151, 157
in file for complete search history.

(56) References Cited

U.S. PATENT
576,512 2/1897 Guinn 59/95 2 Claims, 6 Drawing Sheets



CABLE ATTACHMENTS

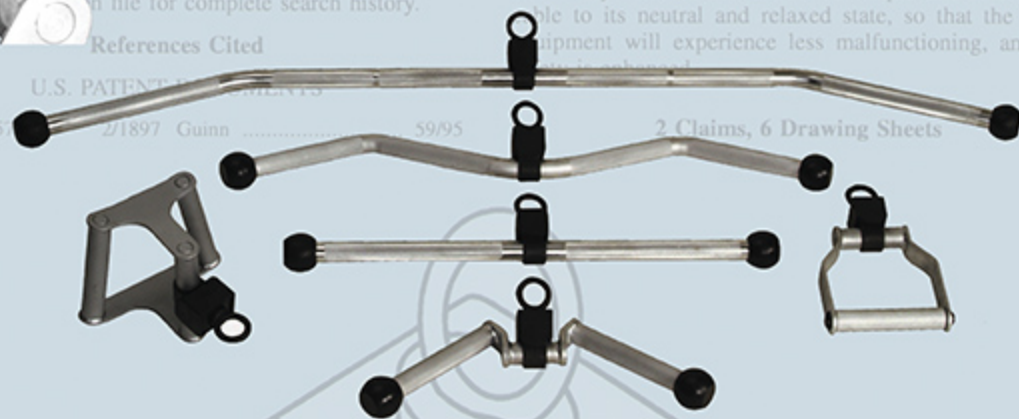
(57) **ABSTRACT**

Steel cables on fitness equipment, through repeated use, will build up undesired torque, due to irregular and unpredictable turns and spins. Such accumulated and undesired torque has a tendency to turn or spin in an uncontrollable way and effectively releases the undesired torque and restores the cable to its neutral and relaxed state, so that the fitness equipment will experience less malfunctioning, and user safety is enhanced.

PATENTED 3D ROTATION TECHNOLOGY

HARD CHROME PLATED

1-YEAR WARRANTY AGAINST BREAKAGE



Warranty:

UMAX will replace, repair or provides tools and parts for the products covered under warranty.

Warranty does not cover damages caused by abuse of any kind, outdoor uses or using the products for the purposes other than physical exercise.

Warranty covers the products for the original user only.